

Reducing Heat Losses and Process Optimisation

Situation before: A reactor in a pharmaceutical plant with thermic fluid in the jacket was insulated at the sides but not at the bottom to get faster cooling. However, it suffered heat losses during the heating cycle.



IMPROVEMENT DONE

A two way valve was provided at the thermic fluid outlet of the reactor. The thermic oil flow was cut off through the reactor coils and hot oil remaining in the reactor was diverted to another oil circuit which was connected to the heat exchanger through the cooling water circuit.

ECO IMPACT

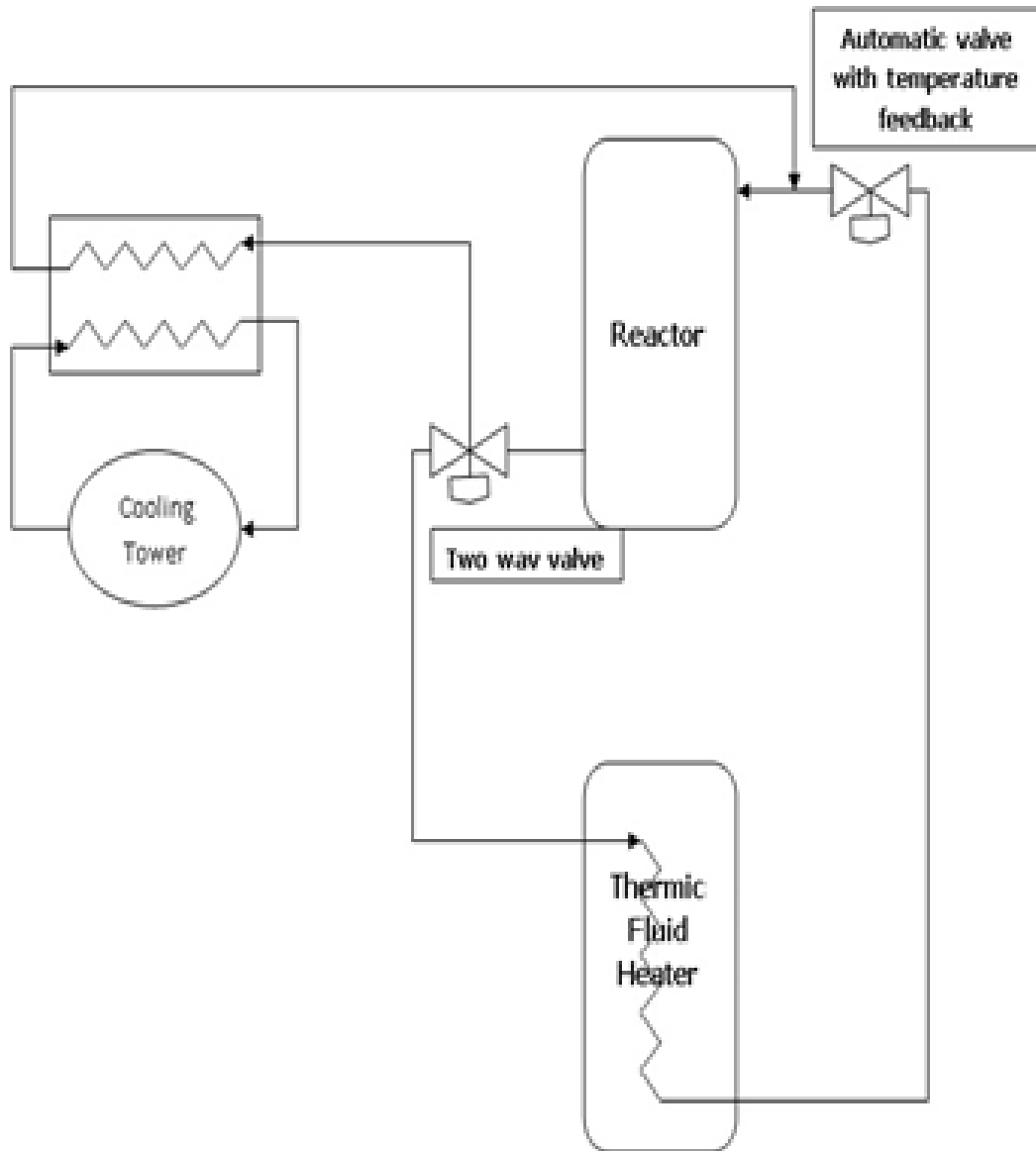
Savings/year: Rs. 4,80,000

Production increase: 5%(decrease in cooling time of 2 hrs. per batch)

Cost: Rs. 5,00,000

Payback time: 1.04 years

IMPROVEMENT DONE



PROJECT FUNDED BY



PROJECT IMPLEMENTED BY

